

## LS 100

### LED Range Light Signal

The LS 100 LED signal is designed for applications of short and medium range directional light, such as range lights and port traffic signals.

- **Small and compact lantern**
- **Intensity adjustable in three steps from 25 % to 100 %**
- **Housing fully waterproof with PTFE vent for breathing**
- **Visual range from 2 to 7 nm (TC = 0.74)**
- **Standard IALA colours Red, Green, White and Yellow**
- **Low power consumption, ideal for solar system**
- **Flasher with day light switch can be integrated in lantern or installed externally in battery cabin**
- **Integrated solar panel regulator with SmartFlasher**
- **Adjustable intensity and range**
- **Configuration and field maintenance with Programmer Mk2 or laptop computer**
- **Optionally external GPS synchronization**
- **Optionally external GSM Remote monitoring**



#### Sun shield

Protects lens from dust and bird droppings, and improves contrast in daytime.



#### Mounting pedestal

The optional adjustable pedestal in AISI 316 stainless steel enables an easier alignment of the pencil beam with assistance of a precision gun sight



#### Installation

The mounting pedestal has an integrated holder for an eye sight tool.



#### Polycarbonate lens

The optical lens consists of 24 pcs miniature Fresnel elements creating a high efficiency precision beam

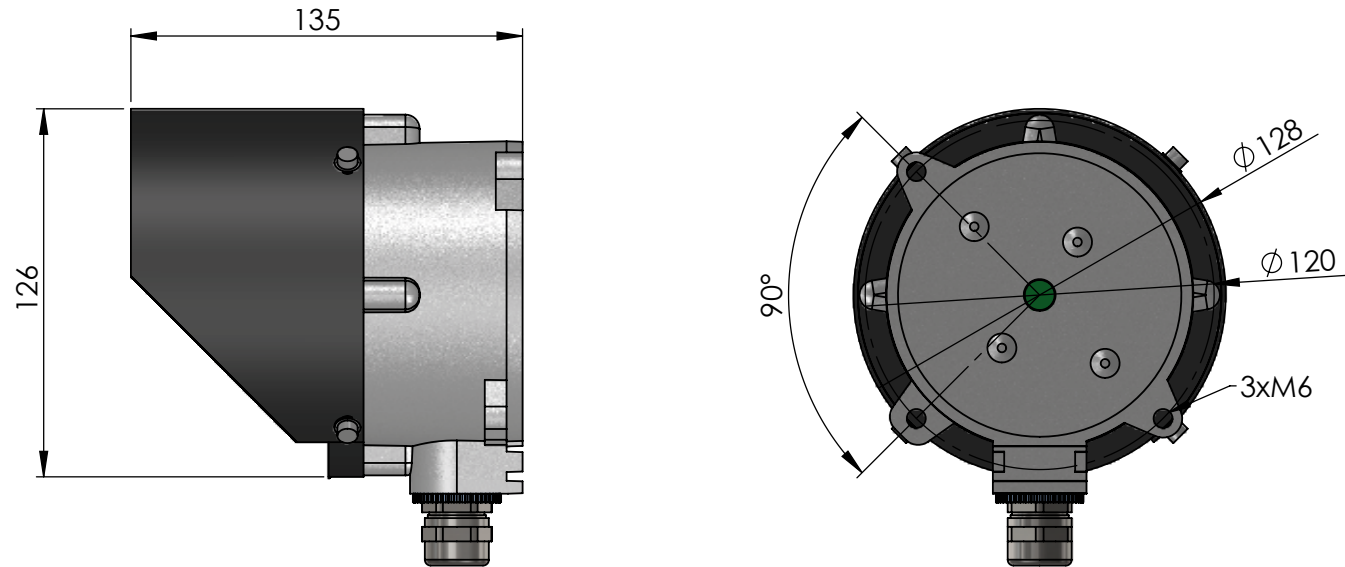


#### Programmer MK2

Configuration and retrieval of operating data with portable Programmer. Flash code and photocell switch level etc. can be set. No need to open lantern on normal service call.



## Technical Specification LS 100



### Optical performance

Maximum fixed intensity				
At full power 4 W	2000 cd	2000 cd	2000 cd	2000 cd

### Main Technical Specification

<b>Lens visual/Mechanical diameter</b>	100 mm
<b>Lens material</b>	UV stabilized Polycarbonate
<b>Light source</b>	Light Emitting Diodes (LEDs)
<b>Lens divergence (horizontal and vertical)</b>	4° @ 50% (± 1°) of peak intensity 8° @ 10 % (± 2°) of peak intensity
<b>Unit lifetime</b>	Up to 10 years
<b>Weight</b>	1.5 kg with integrated flasher
<b>Temperature range</b>	-40°...+60°C
<b>Supply Voltage</b>	9 – 30 VDC
<b>Power consumption</b>	4 watts at full intensity

## Order Overview LS 100

### Option matrix

<b>SmartSync GPS</b>	GPS based synchronization installed in external box
----------------------	---

For Monitoring we recommend LightGuard Basic.

### Product codes

LS 100 STANDARD	LS 100 S with SMARTFLASHER	LS 100 S with LEDFLASHER	SC LS 100	Colour
930039	920044	920044LF	920139	white
920036	920041	920041LF	920137	red
930037	920043	920043LF	920138	green
920038	920042	920042LF	920137	yellow