

LED 350 H

High Power LED light for fixed installations

LED beacon capable of ranges up to 18 nautical miles. LED 350 H is designed to substitute rotating beacons with a considerably smaller power consumption.

- Up to 10.000 cd luminous intensity per tier at only 90 watts
- Can be supplied with up to 5 tiers. Max luminous intensity impressive 50 000 cd
- Rugged aluminium housing for installation in marine environment
- Low power consumption, suitable for solar and battery operation
- Integrated flasher with day light switch and a 16 ampere solar panel charger
- Field adjustable intensity and range
- Programming with wireless Sabik PDA Programmer or USB/IR interface
- Integrated event log for 365 days
- Available in white colour only
- Optionally integrated GPS synchronization
- Optionally integrated GSM Remote monitoring



The performance of the lantern has been achieved thanks to the special designed lens.



Bird spikes

Stainless steel bird deterrents as standard. Easy to replace. Offers great protection



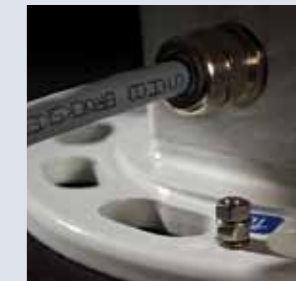
Level indicator

The lantern can easily be levelled in field using the integrated bubble level indicator.



IR port and photocell

The combined infrared communication port and photocell is located on the base of the lantern.



Grounding plug

The base plate has a grounding plug as standard to enable good protection for electromagnetic interference



Additional cable entry

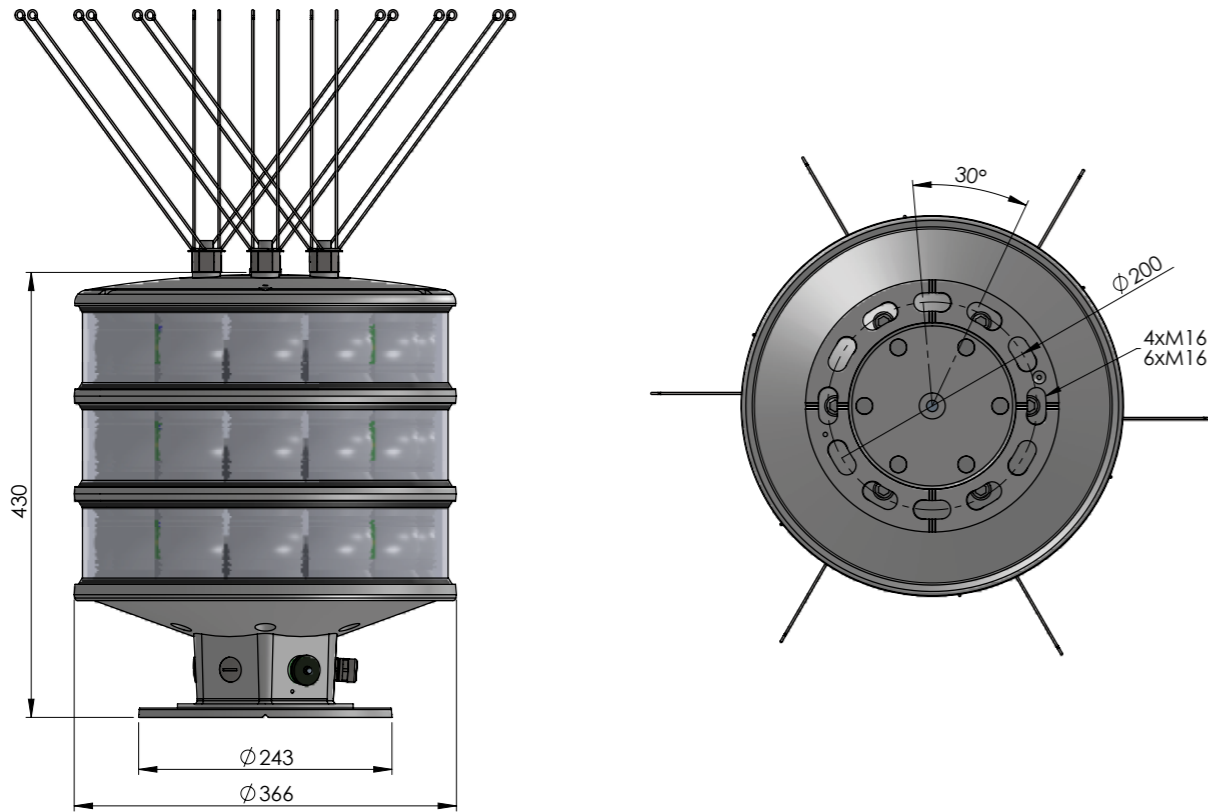
Equipped as standard with two cable entries. If the second entry is needed e.g. for a solar module standard M20 cable gland can be fitted.



PDA Programmer

Wireless two-way communication using a Windows based PDA with infra red port. Flash code, range and photocell switch level etc. can be set. With the Programmer also the event log can be retrieved

Technical Specification LED 350 H



Optical performance

Maximum fixed luminous intensity, white	
1-tier, 90 W	10.000 cd
2-tiers, 180 W	20.000 cd
3-tiers, 270 W	30.000 cd
4-tiers, 360 W	40.000 cd
5-tiers, 450 W	50.000 cd

Main Technical Specification

Lens visual/Mechanical diameter	350 mm
Lens material	UV stabilized Polycarbonate
Light source	High Power Light Emitting Diodes (LEDs)
Vertical divergence	1.5° @ 50 % (± 0.3°) and 3° @ 10 % (± 0.5°) of peak intensity
Unit lifetime	Up to 10 years
Weight	10 kg for single tier unit, add 4 kg for each tier
Temperature range	-40°...+60°C
Supply Voltage	9 – 30 VDC
Solar panel charger	16 ampere PWM charger. Solar panel production (Ah) is logged
Power consumption	90 watts/tier

Order Overview LED 350 H

Option matrix

LightGuard GSM	Integrated GSM based monitoring with GSM antenna
LightGuard GSM + GPS	Integrated GSM based monitoring with GSM/GPS antennas
GPS sync	Integrated GPS sync only unit with GPS antenna in lantern top
Optical Feedback System	Integrated LED performance measurement

Product codes

Product	LAYERS	Colour
LED 350.1HW	1	white
LED 350.2HW	2	white
LED 350.3HW	3	white
LED 350.4HW	4	white
LED 350.5HW	5	white