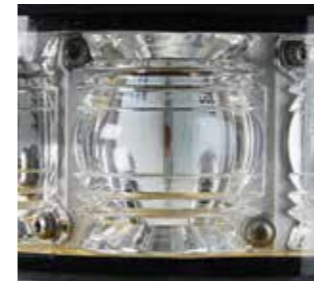


LED 160

Full Range Lantern for fixed and floating installations

This all-round LED 160 lantern has world-class optical performance with options for buoys and fixed installations. Three different lantern options available covering a range from 3 Nm up to 12Nm (Tc = 0,74)

- Standard IALA colours Red, Green, White, Yellow and Blue
- Best in class optical performance
- New designed rugged injection molded aluminium housing
- Field installation easy thanks to the integrated junction box with 3 cable entries
- Extremely low power consumption, suitable for solar and battery operation
- Integrated 16A solar panel charger
- Adjustable intensity and range
- Available with three different optics: Narrow 3°, Medium 5° and Wide 10°
- Programming with all Sabik wireless programmers
- Optionally integrated GPS synchronization
- Optionally integrated GSM/GPS Remote monitoring



Optics
Optics designed for high power LEDs



Supply cable
Integrated junction box with up to 3 cable entries



Cable connection
Connection to spring type terminal block



Grounding plug
The base plate has a grounding plug to enable good protection against electromagnetic interference



Programming
Combined IR programming and photocell window in lantern base



PTFE breathing
Vent for pressure release for both junction box and lantern housing



GSM/GPS monitoring
Special designed lantern top for GSM and GPS antennas



Bird spike
Bird spike with thread to be installed in the center of the lantern top



Lantern colour
Lantern colour is clearly indicated by the colour plate



Installation
The bottom plate supports installation on structure with 3x M12 or 4xM12 bolts on a 200mm diameter

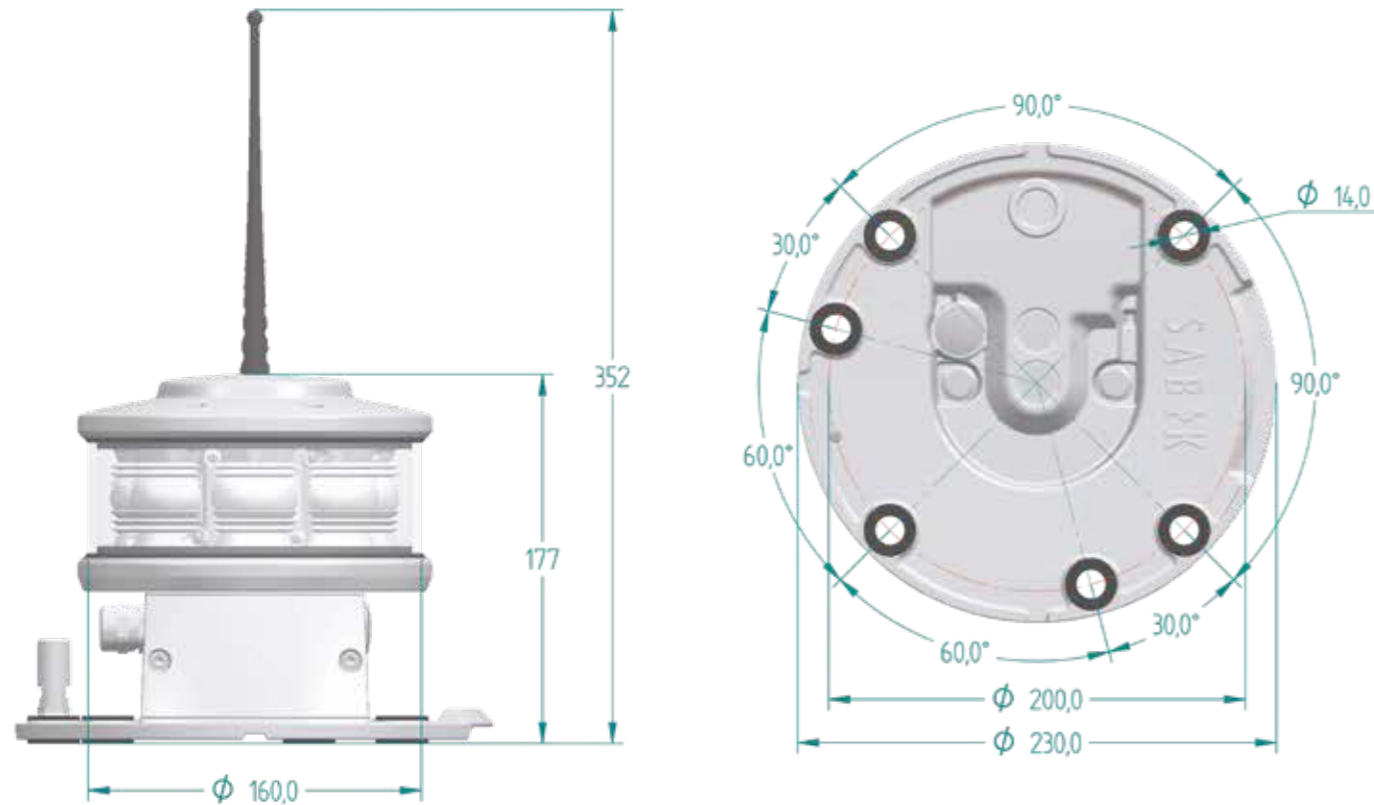


Sabik Easy Programmer
User friendly and compact wireless two-way programmer



PDA Programmer
Wireless two-way infra red communication with Sabik PDA programmer

Technical Specification LED 160



Optical performance

Maximum fixed intensity LED 160H (3° @ 50% of top intensity)				
Max power 48 W				4300 cd
Maximum fixed intensity LED 160N (5° @ 50% of top intensity)				
Max power 12 W - 17 W	1150 cd	1200 cd	1000 cd	1850 cd
Maximum fixed intensity LED 160W (10° @ 50% of top intensity)				
Max power 12 W - 17 W	620 cd	720 cd	620 cd	1100 cd

Main Technical Specification

Lens visual/Mechanical diameter	160 mm
Lens material	UV stabilized Acrylic
Light source	High Power Light Emitting Diodes
Vertical divergence	3°@50% of peak intensity (FWHM) 5°@50% of peak intensity (FWHM) 10°@50% of peak intensity (FWHM)
Weight	3,3 kg
Temperature range	-40° - +60°
Supply Voltage	10 - 32 VDC
Solar Panel Charger	16 ampere PWM charger
Power consumption	12 W - 17 W
Power consumption LED 160H	48 W
Degree of protection	IP 67

Order Overview LED 160

Option matrix

LightGuard GSM + GPS OPT 9L	Integrated GSM/GPS based monitoring including GSM/GPS antennas
GPS sync OPT 4L	Integrated GPS sync including GPS antenna
Optical feedback OPT 1L	Integrated LED performance measurement
Battery control card OPT 11L	Control card for secondary (emergency) battery

Product codes

LED 160H High intensity lantern	LED 160N Lantern with narrow lens designed for fixed structures	LED 160W Lantern with wide lens designed for buoys	Colour
LED 160HW	LED 160NW	LED 160WW	white
	LED 160NR	LED 160WR	red
	LED 160NG	LED 160WG	green
	LED 160NY	LED 160WY	yellow
	LED 160NB	LED 160WB	blue